



## Instruction Manual

**Pure Performance.**





**Thank you for choosing SEBO. We are sure that you will enjoy using your new SEBO vacuum cleaner. We listen to our customers and if you have any suggestions, please contact us at [www.sebo.co.uk](http://www.sebo.co.uk).**

**For optimum and safe operation of this product, please carefully read this instruction manual - including the safety and warning notes - before use. Please fill in your guarantee card.**

The machine serial number can be found in the handle recess of the machine.

Developed and manufactured in Germany using the latest technology, your new SEBO is designed to give long life, excellent performance and ease of use. The powerful suction, light weight and high filtration technology set new performance standards. With three castor wheels, excellent furniture protection from its patented air belt shock absorber, professional attachments, an ergonomic handle, electronic power adjustment and a lightweight telescopic tube, the SEBO *air belt* K1 guarantees easy operation.

### Box contents

SEBO *air belt* K1 machine (incl. attachments), handle with hose, telescopic tube and combination nozzle.

**With a K1 komfort you will also find a floor turbo brush a parquet/hard floor brush and a dusting brush with clamp.**

### Assembly

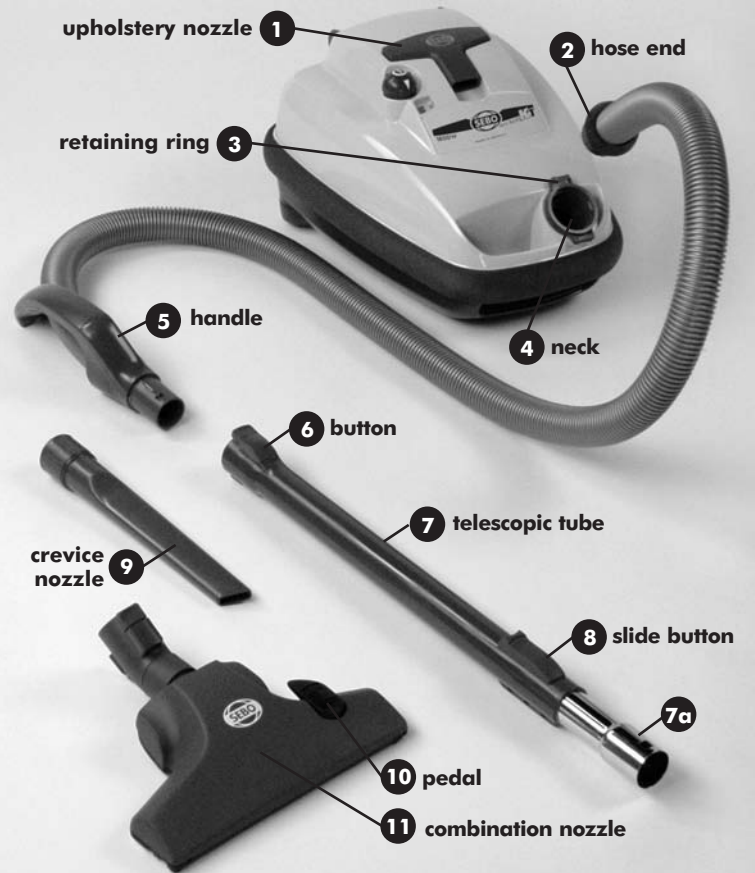
- Push the hose end (2) into the neck (4) until it clicks into the retaining ring (3).

- Push the telescopic tube (7) onto the hose handle (5) until it clicks into place.

- Push the combination nozzle (11) onto the lower end of the telescopic tube (7a) until it clicks into place.

- Additional attachments (K1 komfort) like the floor turbo brush and parquet brush fit on in the same way.

- The clamp for the dusting brush fits to the telescopic tube.



### Technical data:

**Motor:** 1800 W max./1500 W average  
**Suction:** 320 mbar  
**Air flow:** 61 l / sec.  
**Filterbag:** 3 litres

**Weight:** 5,5 kg  
**Sound:** 63 dbA  
**Length:** 410 mm  
**Width:** 328 mm  
**Height:** 240 mm

### Telescopic tube, combination nozzle and the attachments

- To adjust the height of the telescopic tube (7) use the slide button (8).

- The combination nozzle (11) can be adjusted for carpets (bristles in) or hard floors (bristles out) by using the pedal (10).

- The crevice nozzle (9) is located in the rear of the machine, opposite the plug recess. The crevice nozzle fits onto the hose handle (5) as well as onto the lower end of the telescopic tube (7a). The upholstery nozzle (1) is located on the top of the machine. To use, fit it to the end of the crevice nozzle.

### Operation

- **Use your SEBO vacuum cleaner only at the voltage stated on the type plate, which can be found in the handle recess of the machine.**

- To extend the cable (14), firmly grip the plug on the upper and lower sides and pull. Please do not try to pull the plug out by a pin. Ensure the whole cable is extracted before plugging in.

- To switch on, press down on the on/off power control knob (12).

- To adjust suction power, rotate the on/off/power control knob.

- Push the control knob again to

switch off the machine after use. Pull the plug out of the socket. To retract the cable, pull on it near the plug recess and the mechanism will automatically rewind.

### Bag Light

- The orange bag light (13) indicates a blockage or a full filter bag.

- The light only works correctly at full power. At lower power levels, the bag light might indicate incorrectly. Check the status regularly at full power.

### Changing the filterbag

- The orange bag light (13) indicates a blockage or a full filterbag.

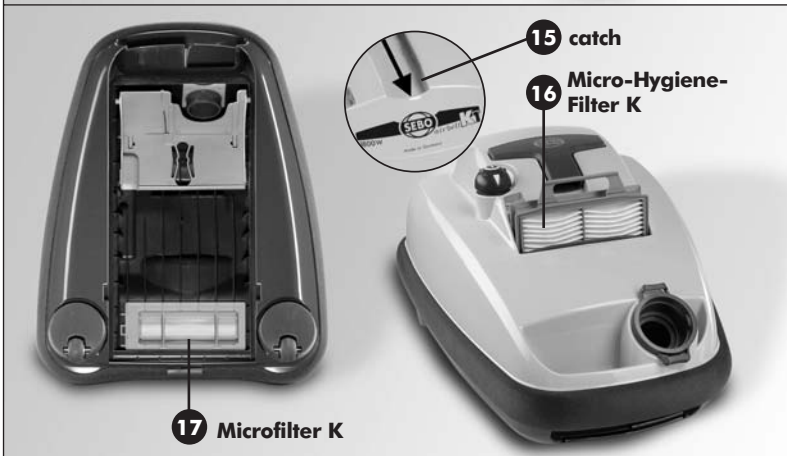
- Vacuuming fine dust may require an earlier change even though the filterbag is not full. Fluff may overfill the bag.

- To change the filterbag, put the machine upright and press the catch (22) to unlock the filterbag cover (19).

- Follow the diagrams printed on the filterbag to replace the filterbag.

- Please ensure that the filterbag top (23) is located properly on both sides of the filterbag holder (21) and pushed in until it locks.

- The cover can only be closed with a properly attached filterbag.



**Caution:**  
Always switch off and unplug the machine before changing filterbags, filters etc. The cable must only be changed by the manufacturer.

- Used filterbags can be sealed with a cap, which is included in the SEBO Filterbox K (Art.-No. 6629 ER) and the SEBO Service Box K (Art.-No. 6695 ER).

### Microfilter K and Micro-Hygiene-Filter K

- Your SEBO *air belt* K1 has a unique microfilter-system, in which the air flows through three high efficiency microfilters - the Ultra-Filterbag (20), the Microfilter K (17) and the Micro-Hygiene-Filter K (16).

- We recommend changing both filters after using between 16 – 24 filterbags or if they have become very dirty e.g. after vacuuming builders/DIY dust.

- A set of both Microfilters is available in the Microfilter-Box (Art.-No. 6696 ER).

- The Microfilter K can be pulled out once the filterbag cover has been removed by sliding it up and out of the two grooves.

- To replace the filterbag cover, slide it back into the two grooves. Please ensure that the bottom of the filterbag is placed into the filterbag holder before closing.

- The Micro-Hygiene-Filter K can be changed by removing the printed cover on top of the machine. To release the cover lift the catch (15) in the upholstery nozzle recess.

- Pull out the Micro-Hygiene-Filter K using its handle and fit the new filter in the same position. The filter handle points towards the upholstery nozzle when it is folded down.

- Replace the cover and push it until it clicks into place.

### Clearing blockages

- Clear blockages in the hose by squeezing the retaining ring (3) together and remove the hose from the neck. Next, release the hose from the hose handle by pressing the catch. Put the end of the hose from the hose handle into the neck.

- Turn the machine on at full power and close the free end of the hose repeatedly with your hand.

- Always ensure that the filters are not clogged.

- Never use a stick to clear the hose.



**Caution:**  
**Never operate the machine with incorrectly fitted filters or without filters, filterbag, air belt or covers.**

### The SEBO *air belt*

- Your new vacuum cleaner is fitted with the patented *air belt* shock absorber system, which protects your walls and furniture and eliminates exhaust air blast.

- The air belt (25) can easily be changed. Take the clip (28) off and remove the *air belt*. The foam part (26) stays on the machine. To fit the new *air belt*, slot the side rails into the grooves (27). Start at the back and proceed round the machine. Secure the ends with the clip (28).

### Parking groove / Carrying groove

If the vacuum cleaner is not be used, the telescopic tube with floor attachment can be parked in the Parking groove (24) beside the cable recess. For carrying the machine easily, the telescopic tube with floor attachment can be fitted into the Carrying groove (18) on the underside.

### SEBO TT-C Floor Turbo Brush (comes with the K1 komfort)

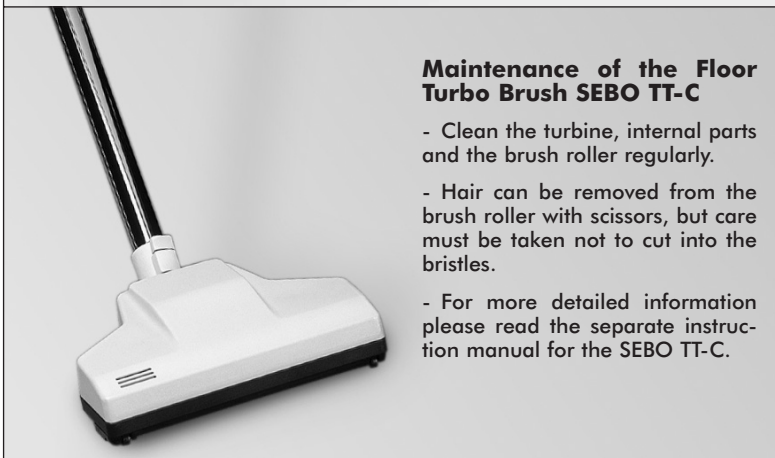
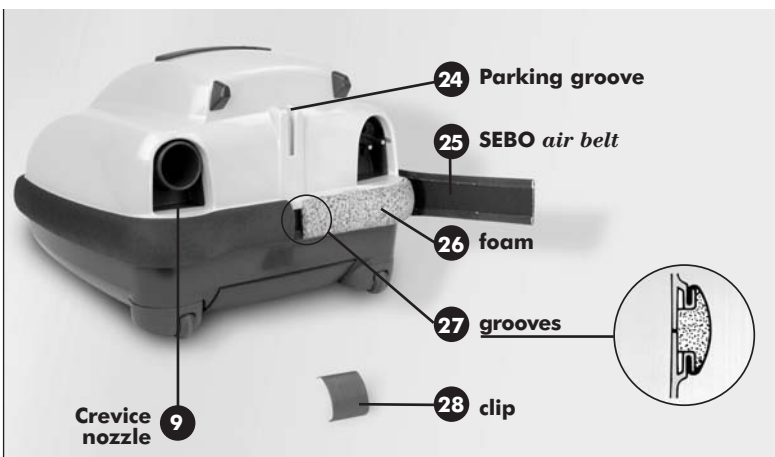
The Floor Turbo Brush is excellent for use on carpet and removes pet hairs easily. It can be used on hard floors, if they have a smooth surface. Floor adjustment is automatic.

### Caution – Safety advice

**This is an electrical appliance. Disconnect from mains before changing bag or filters.**

- The cable must only be changed by the manufacturer,
- only connect to mains outlets which correspond with the type plate in the handle recess,
- children must be strictly supervised,
- vacuum dry surfaces only,
- do not expose to liquid or moisture,
- do not vacuum hot material such as ash,
- do not vacuum humans or animals,
- do not wash filters,
- do not re-use bags,
- only use genuine SEBO replacement items,
- no user serviceable internal parts,
- pull out cable fully for prolonged use,
- do not handle a damaged cable.
- The warranty will be invalidated if the above advice is ignored. It is the users responsibility to operate this appliance safely and carefully.

**SEBO (UK) Ltd. HELPLINE**  
8.30 am - 5.00 pm, Mon.-Fri.  
01494/46 55 33



### Maintenance of the Floor Turbo Brush SEBO TT-C

- Clean the turbine, internal parts and the brush roller regularly.
- Hair can be removed from the brush roller with scissors, but care must be taken not to cut into the bristles.
- For more detailed information please read the separate instruction manual for the SEBO TT-C.

**Caution:**  
Never operate the machine without an *air belt*. The filters must not be washed.



*airbelt* **K1**

POWER © RADACH sachsen

06729E - 10.2002

SEBO (UK) Ltd.  
High Wycombe  
Bucks HP12 3QL

Tel.: 01494 / 465533  
Fax.: 01494 / 461044  
[www.sebo.co.uk](http://www.sebo.co.uk)



Made in Germany